

Continuous and Distributed Systems II: Unlocking the Power of Cloud-Native Architectures

In today's rapidly evolving technological landscape, understanding the principles and practices of continuous and distributed systems has become imperative for businesses and IT professionals alike. The book "Continuous and Distributed Systems II" serves as a comprehensive guide to this essential topic, delving into the intricacies of cloud-native architectures, microservices, and distributed algorithms.

Cloud-Native Architectures: The Foundation of Modern Computing

Cloud-native architectures have revolutionized the way we design, deploy, and operate software systems. By leveraging the scalability, resilience, and flexibility of the cloud, businesses can unleash the full potential of their applications. This book provides a deep dive into the principles of cloud-native architectures, exploring key concepts such as microservices, containerization, and serverless computing.



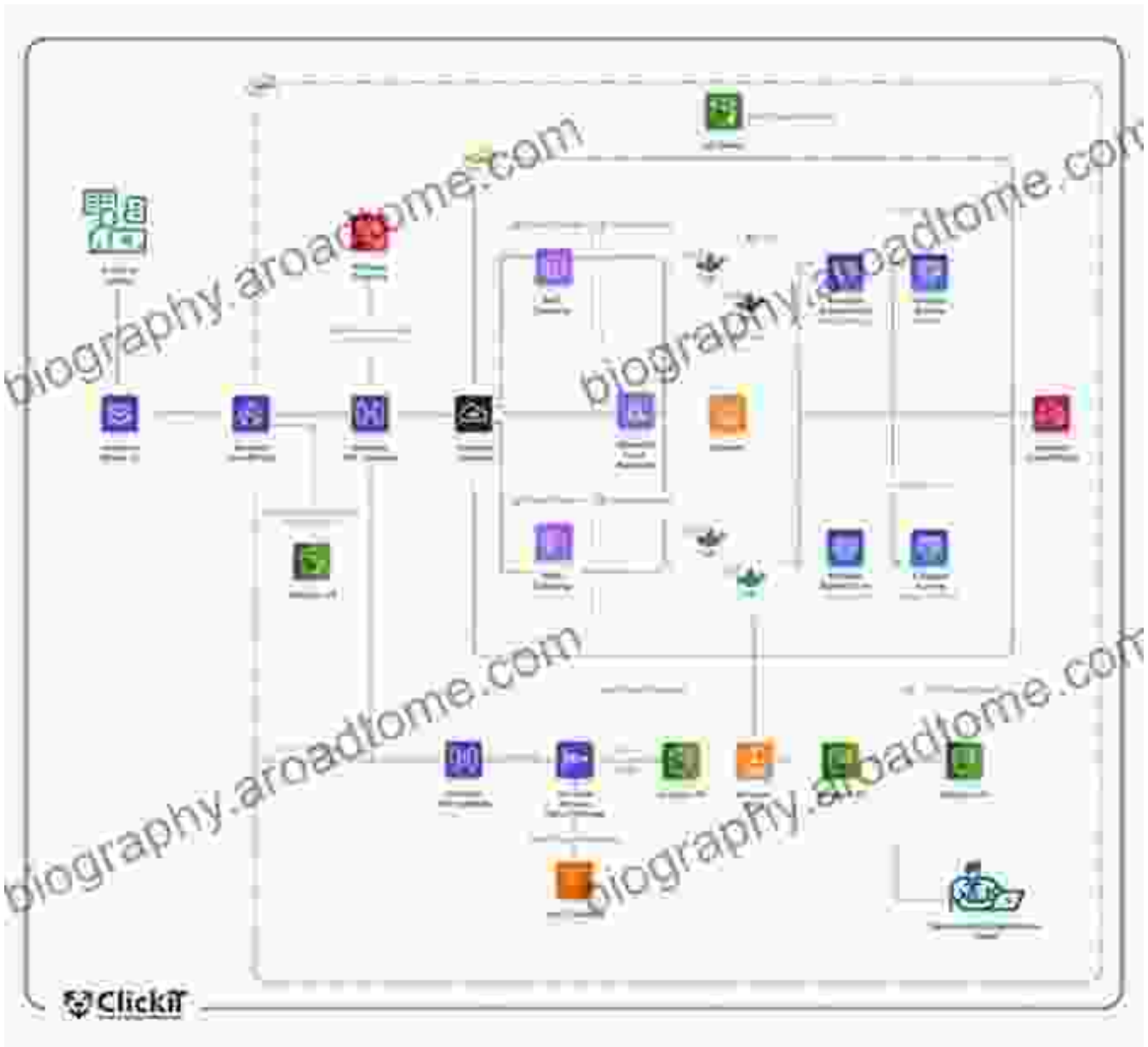
Continuous and Distributed Systems II: Theory and Applications (Studies in Systems, Decision and Control Book 30)

★★★★★ 5 out of 5

Language : English
File size : 25942 KB
Text-to-Speech : Enabled
Screen Reader : Supported
Enhanced typesetting : Enabled
Word Wise : Enabled
Print length : 692 pages

FREE

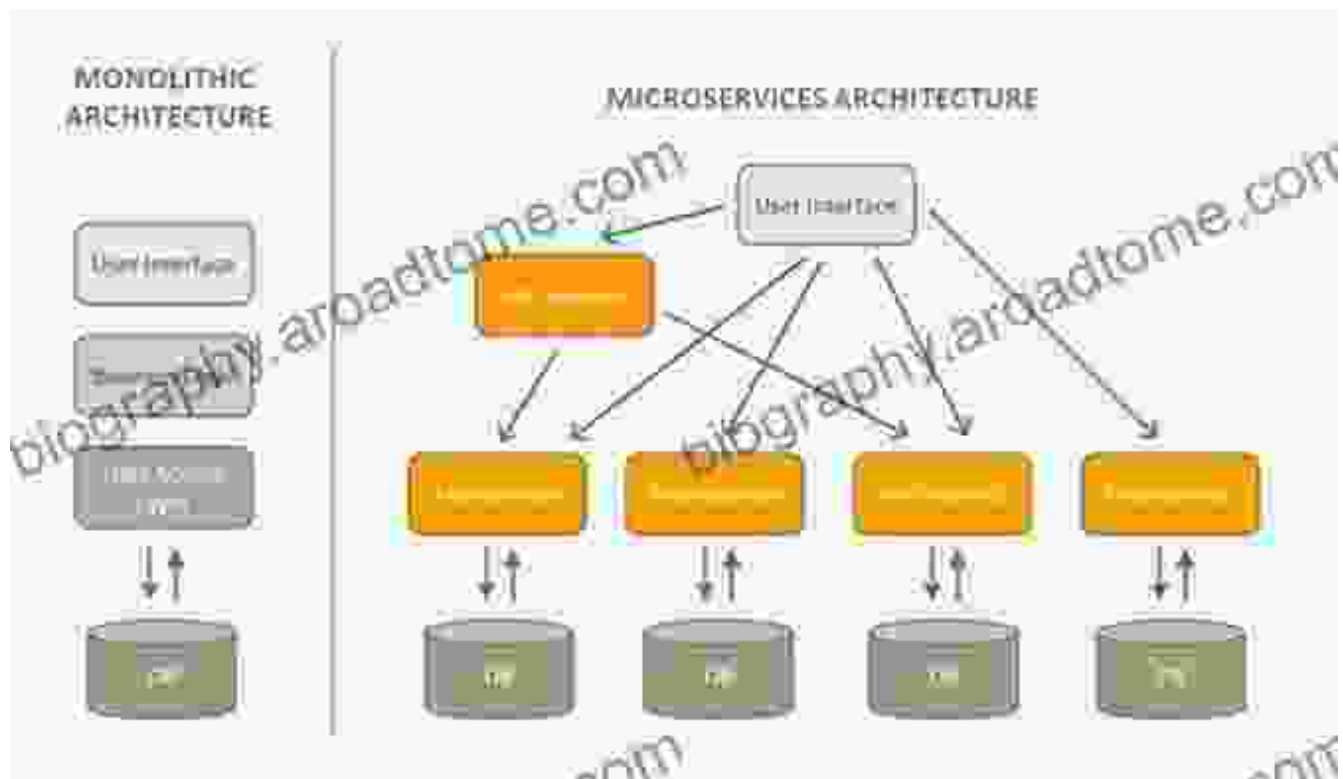
DOWNLOAD E-BOOK



Microservices: Breaking Down Complexity

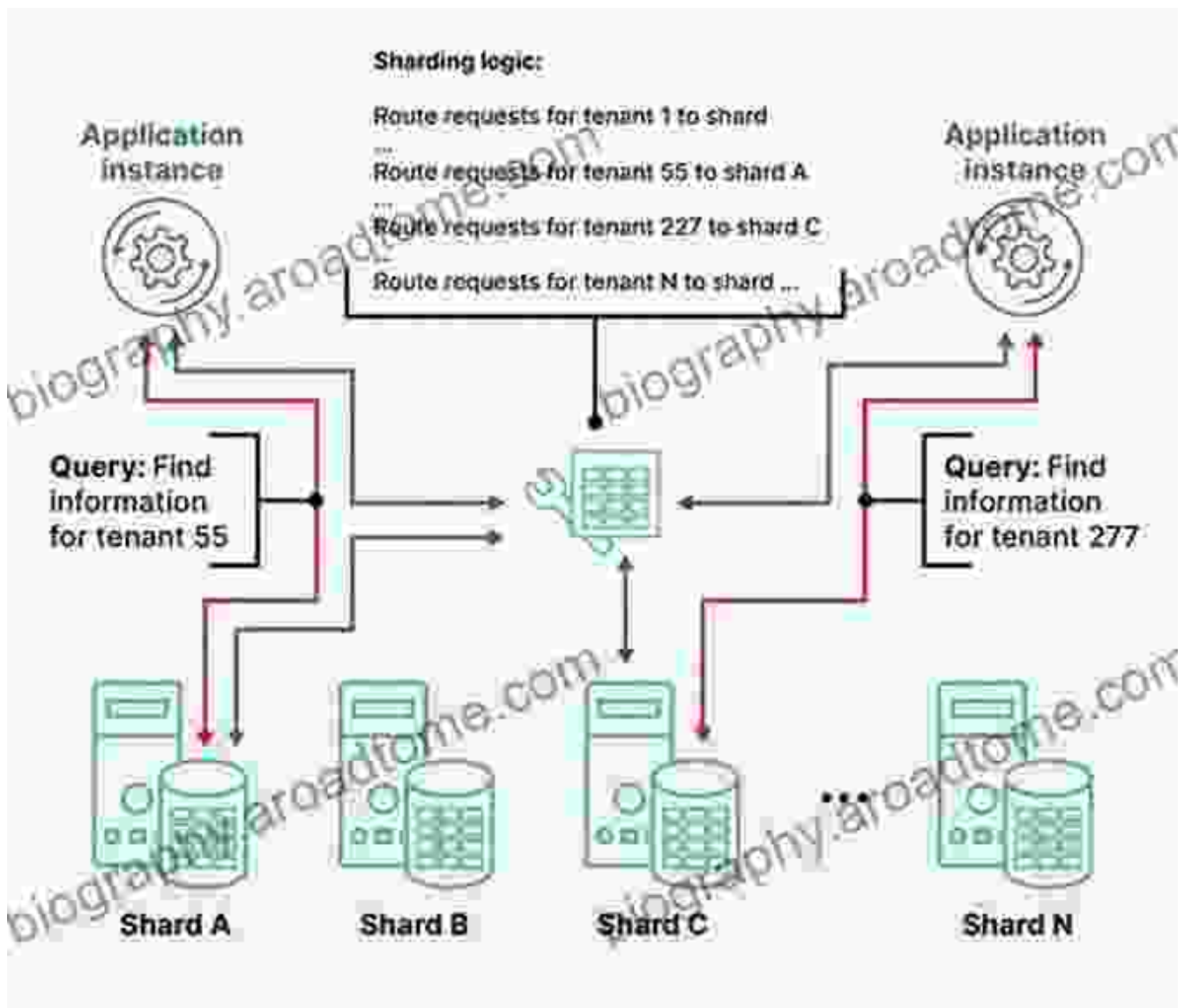
Microservices offer a modern approach to software development by breaking applications into smaller, independent services. This modular design enhances flexibility, scalability, and maintainability. The book explores the benefits and challenges of microservices, providing practical

guidance on how to architect and implement microservice-based systems effectively.



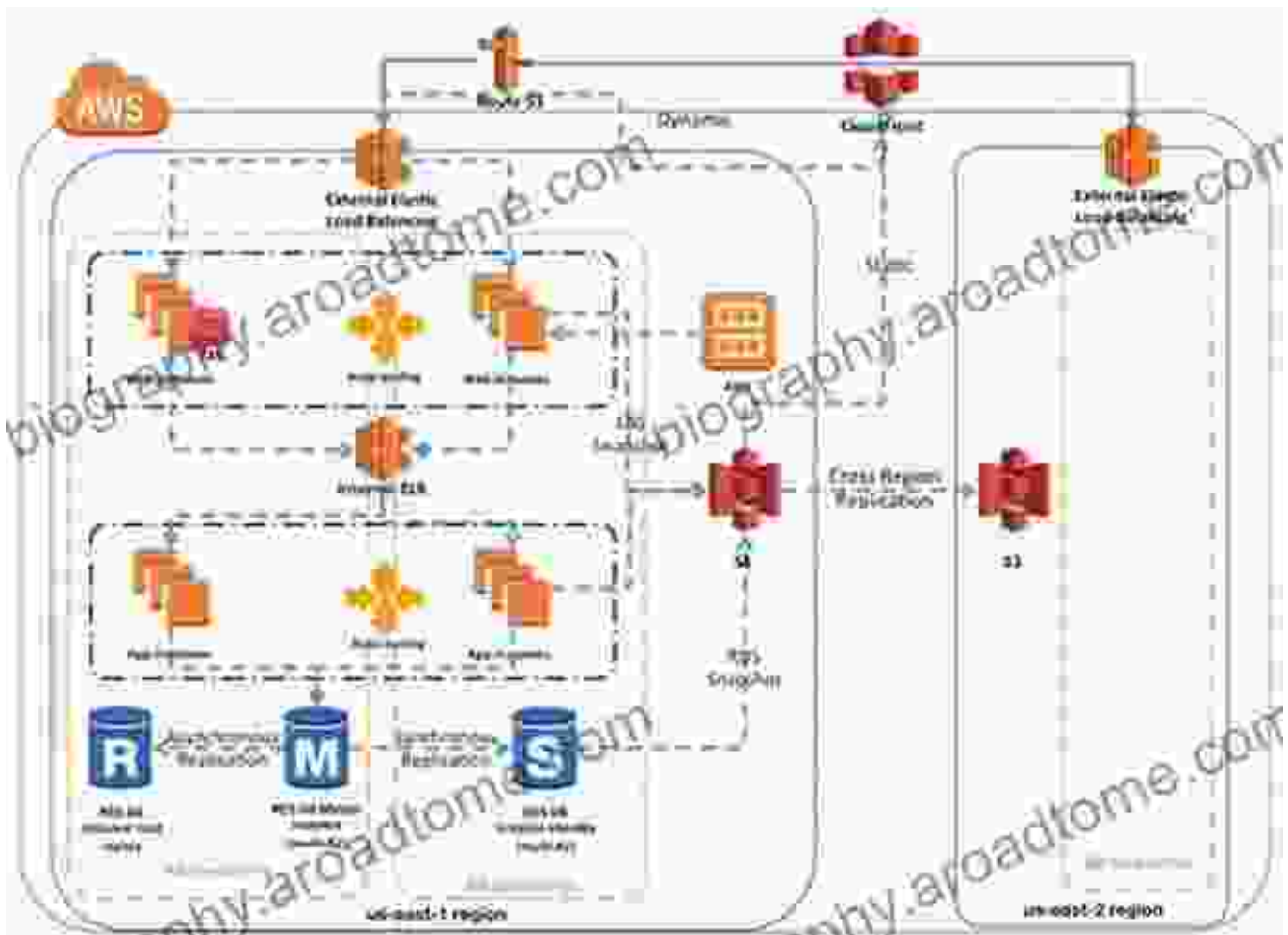
Distributed Algorithms: Coordinating Across the Cloud

Distributed algorithms play a critical role in ensuring the correct and efficient operation of distributed systems. The book covers fundamental distributed algorithms, such as consensus, leader election, and distributed transactions. It also delves into advanced topics such as distributed data structures and fault-tolerant algorithms.



Fault Tolerance and Scalability: Building Resilient Systems

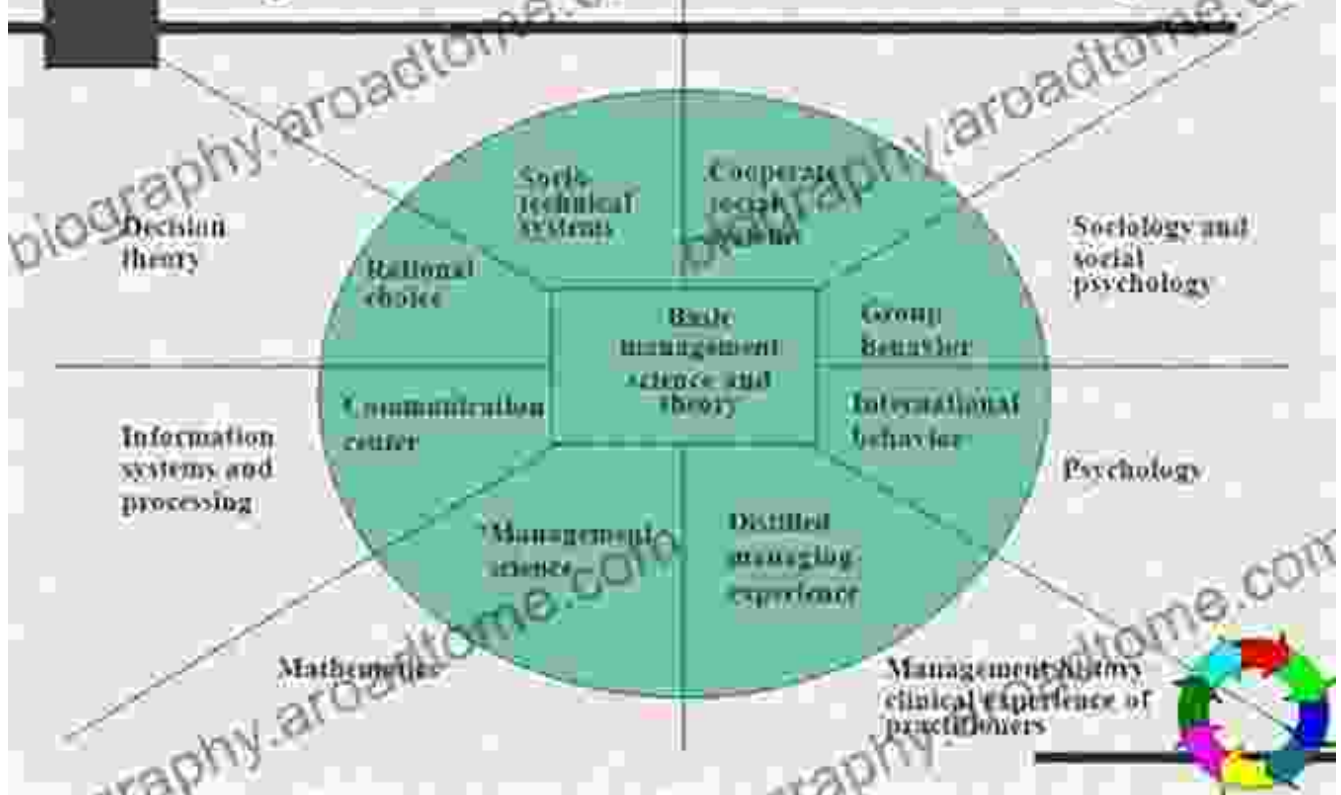
In the realm of distributed systems, fault tolerance and scalability are essential. The book examines different approaches to fault tolerance, including replication, leader election, and consensus. It also covers techniques for scaling distributed systems horizontally and vertically to meet increasing demand.



Performance Optimization: Maximizing System Efficiency

Performance optimization is crucial for ensuring the responsiveness and efficiency of distributed systems. The book provides practical advice on profiling and analyzing distributed systems, identifying performance bottlenecks, and implementing optimization techniques.

Systems Theory



: Embracing the Future of Computing

Continuous and distributed systems are transforming the world of computing, empowering businesses with unprecedented agility, scalability, and resilience. "Continuous and Distributed Systems II" is an indispensable resource for anyone seeking to master these essential concepts and harness the power of cloud-native architectures. Whether you're a software engineer, architect, or IT professional, this book will provide you with the knowledge and expertise to design, implement, and manage complex distributed systems effectively.

Unlock the full potential of continuous and distributed systems and embark on the journey to become a true master of this transformative technology.



Continuous and Distributed Systems II: Theory and Applications (Studies in Systems, Decision and Control Book 30)

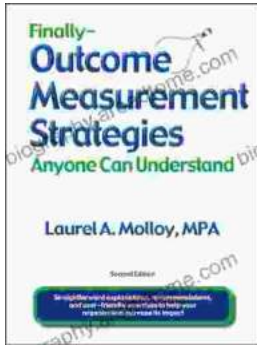
★★★★★ 5 out of 5

Language : English
File size : 25942 KB
Text-to-Speech : Enabled
Screen Reader : Supported
Enhanced typesetting : Enabled
Word Wise : Enabled
Print length : 692 pages



Unveiling the Silent Pandemic: Bacterial Infections and their Devastating Toll on Humanity

Bacterial infections represent a formidable threat to global health, silently plaguing humanity for centuries. These microscopic organisms, lurking within our...



Finally, Outcome Measurement Strategies Anyone Can Understand: Unlock the Power of Data to Drive Success

In today's competitive landscape, organizations of all sizes are under increasing pressure to demonstrate their impact. Whether you're a...