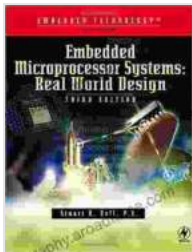


Unlock the Power of Embedded Systems: Your Ultimate Guide to Real-World Design

In today's technological landscape, embedded microprocessors play a pivotal role in our daily lives. From smartphones to medical devices and industrial automation, these tiny wonders quietly power countless applications. If you're eager to harness the potential of embedded systems, "Embedded Microprocessor Systems: Real World Design Embedded Technology" is your essential guide.

A Journey into the Embedded World

This comprehensive book takes you on an immersive journey into the world of embedded microprocessors. Starting with a solid foundation in microprocessor architecture, you'll explore:



Embedded Microprocessor Systems: Real World Design (Embedded Technology)

★★★★☆ 4.9 out of 5

Language : English

File size : 4933 KB

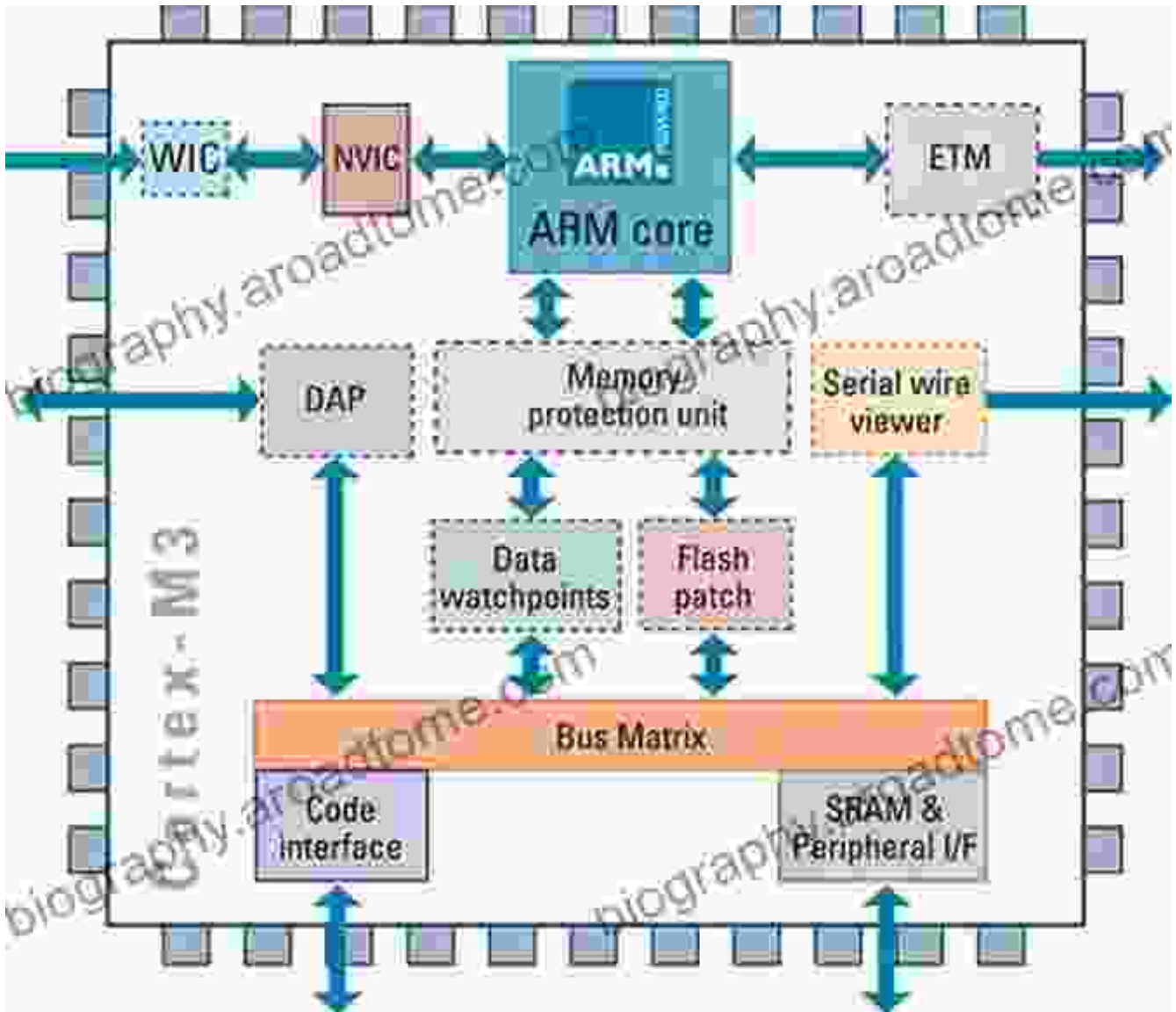
Text-to-Speech: Enabled

Print length : 376 pages



- Instruction sets, addressing modes, and control flow
- Interfacing techniques for peripherals, including I/O devices, memory, and communication protocols

- Real-time operating systems (RTOS) and their role in embedded systems
- Debugging and testing techniques to ensure reliable embedded system operation



Practical Real-World Projects

Beyond theory, the book shines with its practical approach. It offers hands-on projects that let you experience the real-world challenges of embedded system design. These projects cover:

- Interfacing with sensors and actuators
- Implementing embedded control systems
- Developing graphical user interfaces (GUIs)
- Working with wireless communication modules

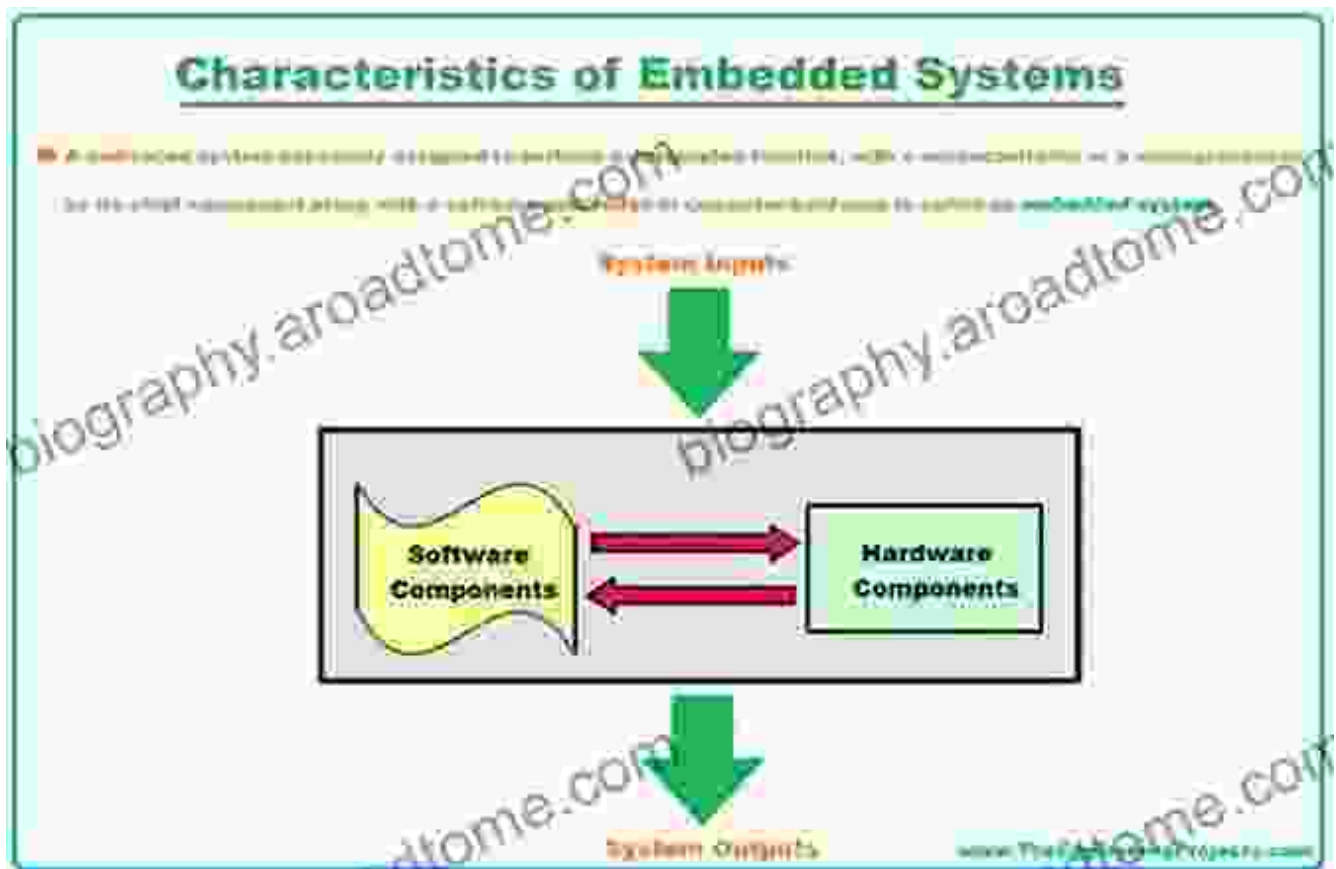


Get hands-on experience with embedded system design through practical projects.

A Treasure Trove of Embedded Tools

To equip you for success, the book introduces essential embedded tools that simplify development. You'll learn about:

- Integrated development environments (IDEs) for embedded programming
- Simulators and emulators for testing and debugging embedded systems
- Logic analyzers and oscilloscopes for hardware debugging
- Prototyping platforms for rapid hardware development



Proven Design Techniques

Throughout the book, you'll discover proven design techniques that will enhance your embedded system development skills. These techniques include:

- Software design patterns for modular and reusable code
- Hardware design considerations for reliability and performance
- Power management techniques to optimize system efficiency
- Security measures to protect embedded systems from vulnerabilities

Case Studies and Success Stories

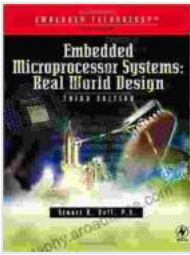
To inspire you further, the book features real-world case studies and success stories of embedded systems in various industries. These case studies demonstrate how embedded microprocessors have revolutionized:

- Industrial automation and process control
- Medical devices and healthcare applications
- Automotive systems and transportation
- Consumer electronics and smart home devices

Become an Embedded System Expert

With "Embedded Microprocessor Systems: Real World Design Embedded Technology," you'll acquire the knowledge and skills to become an embedded system expert. You'll be able to design, develop, and deploy reliable embedded systems that meet the demands of the real world.

Don't wait any longer to unlock the power of embedded systems. Free Download your copy of this essential guide today and embark on a journey that will transform your understanding and capabilities in this exciting field.



Embedded Microprocessor Systems: Real World Design (Embedded Technology)

★★★★☆ 4.9 out of 5

Language : English

File size : 4933 KB

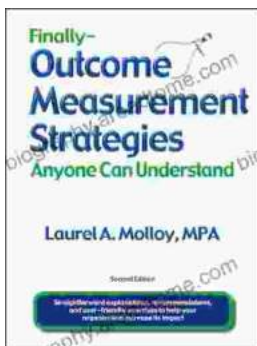
Text-to-Speech: Enabled

Print length : 376 pages



Unveiling the Silent Pandemic: Bacterial Infections and their Devastating Toll on Humanity

Bacterial infections represent a formidable threat to global health, silently plaguing humanity for centuries. These microscopic organisms, lurking within our...



Finally, Outcome Measurement Strategies Anyone Can Understand: Unlock the Power of Data to Drive Success

In today's competitive landscape, organizations of all sizes are under increasing pressure to demonstrate their impact. Whether you're a...